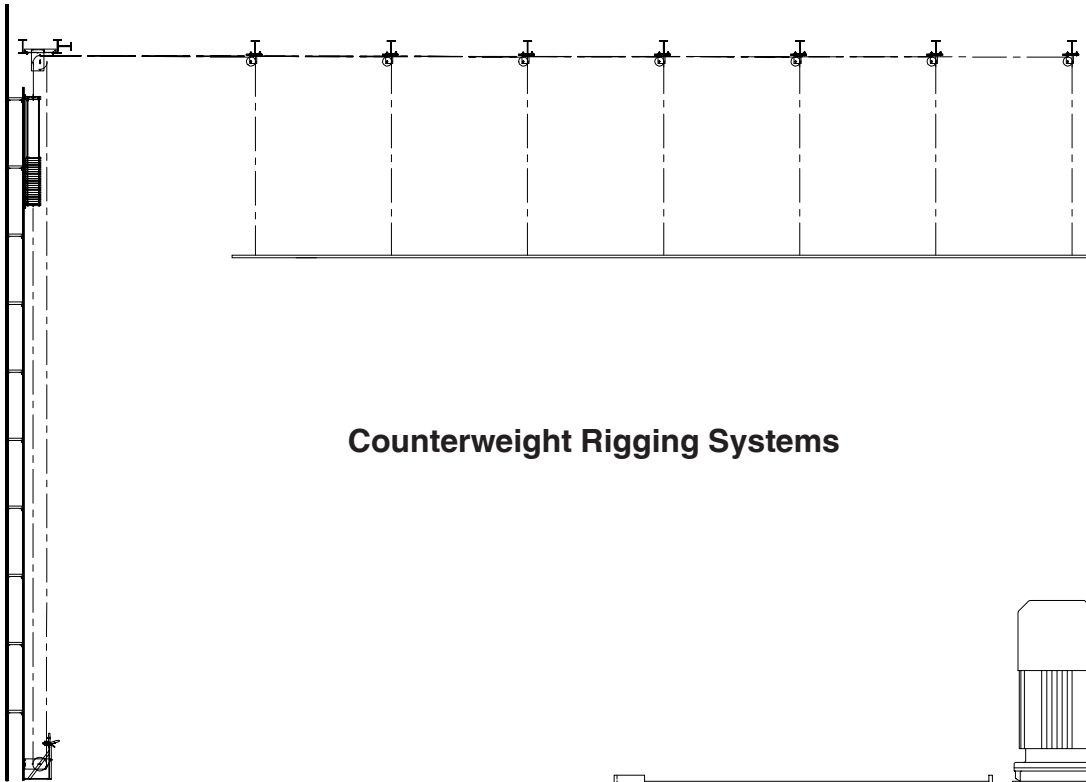
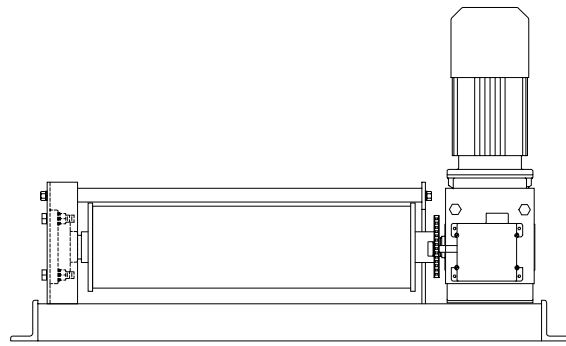


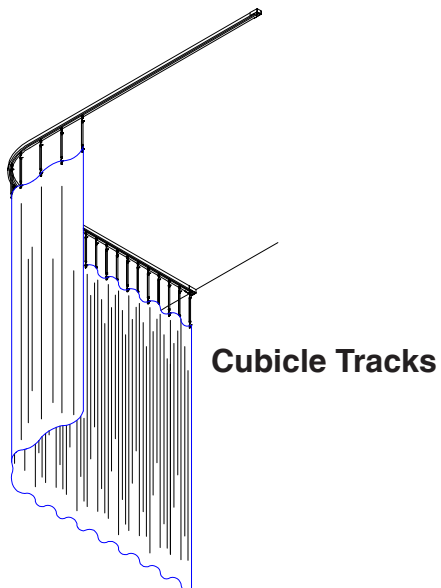
Other Products



Counterweight Rigging Systems



Motorized Winches



ACKNOWLEDGEMENTS

Nylatron® is a registered trademark of Quadrant EPP

Delrin® and Zytel® 801 ST Super Tough
are registered trademarks of E. I. Dupont De Nemours & Co.