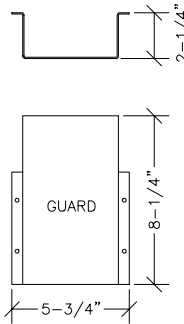
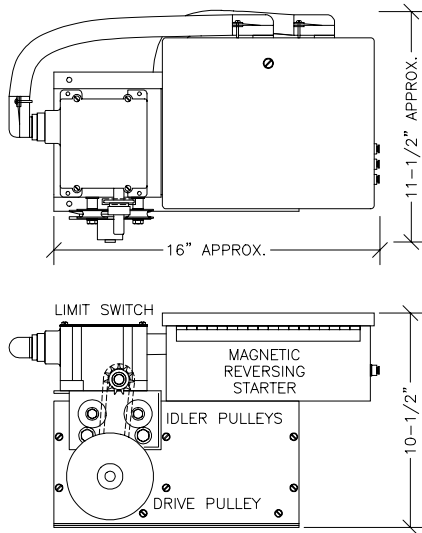


MODEL NO. 472 DRAW CURTAIN MACHINE



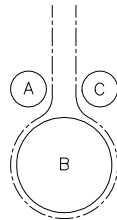
STANDARD FEATURES:

- Rotary limit switch.
- Magnetic reversing starter.
- Magnetic disc brake.
- 4" V-groove drive pulley.
- Temporary power supply cord.
- Remote push button station.

OPTIONAL FEATURES:

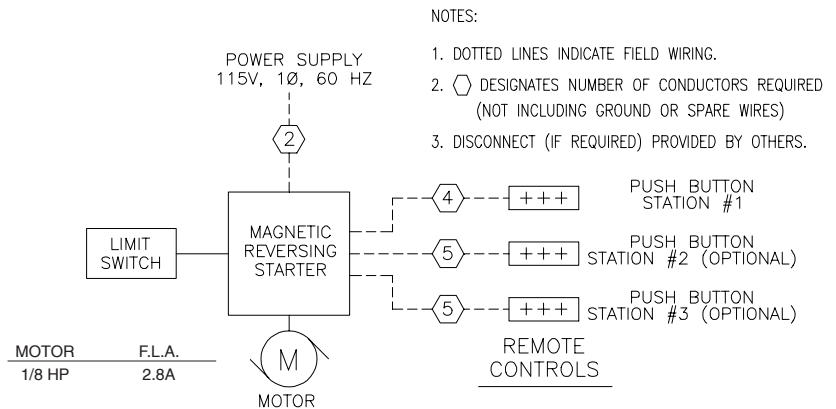
- 3 or 4-stop limits and controls.
- Low voltage control circuit.

No. 481
Push Button Station
(one supplied with machine)



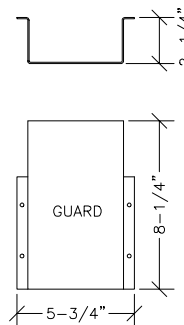
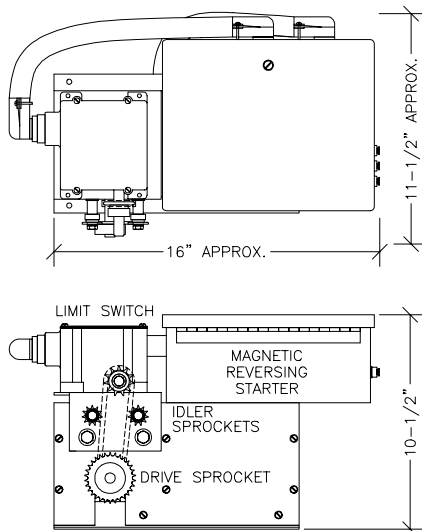
1. Cable/Chain travels down inside of idler "A" and outside of drive pulley/sprocket "B".
2. Cable/chain continues up inside idler "C".

Model No. 472/473 Reeving Diagram



Model No. 472/473 Riser Diagram

MODEL NO. 473 MASKING MACHINE



STANDARD FEATURES:

- Rotary limit switch.
- Magnetic reversing starter.
- Magnetic disc brake.
- #25 roller chain sprocket.
- Temporary power supply cord.
- Remote push button station.

OPTIONAL FEATURES:

- 3 or 4-stop limits and controls.
- Low voltage control circuit.

No. 481
Push Button Station
(one supplied with machine)

