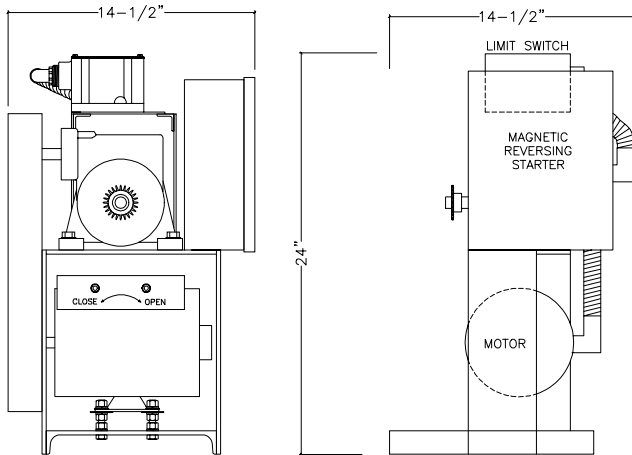


MODEL NO. 460 MASKING MACHINE



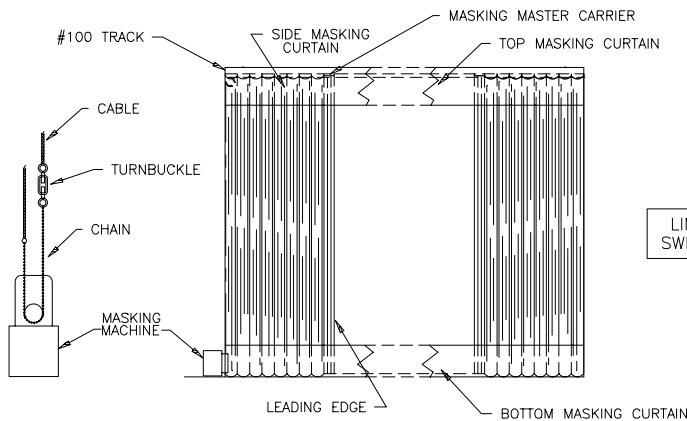
**No. 481
Push Button
Station**
(one supplied
with machine)

STANDARD FEATURES:

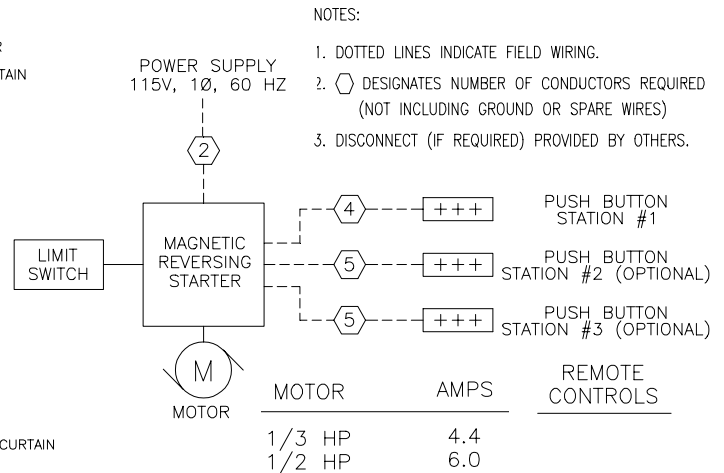
- Instantly reversing motor.
- Rotary limit switch.
- Magnetic reversing starter.
- #35 roller chain sprocket.
- Temporary power supply cord .
- Remote push button station.

OPTIONAL FEATURES:

- Low voltage control circuit.
- Three phase motor and controls.
- 3 or 4-stop limits and controls.
- Variable speed drive and controls.
- Other cable speeds.



Model No. 460 Masking Schematic



Model No. 460 Riser Diagram

NOTES:

1. DOTTED LINES INDICATE FIELD WIRING.
2. \square DESIGNATES NUMBER OF CONDUCTORS REQUIRED (NOT INCLUDING GROUND OR SPARE WIRES)
3. DISCONNECT (IF REQUIRED) PROVIDED BY OTHERS.

MASKING MACHINE:

Sprocket drive automatic curtain machine shall be capable of operating curtain between preset "open" and "close" positions at a cable speed of 22 feet per minute. Secure machine to heavy steel base for attachment to building structure.

Gear reducer shall be single reduction worm gear type designed for continuous duty. Precision machined alloy steel worm and bronze gear shall operate in an oil bath within a cast aluminum housing with dual-lip oil seals on the output shaft to prevent leakage. The gear reducer shall have a AGMA service factor of at least 1.0 for continuous operation. Provide ANSI #35 roller chain sprocket keyed to output shaft of gear reducer.

Unit shall be driven by 1/3* HP, 115V single phase capacitor motor connected to reducer with guarded V-belt drive. Motor shall be instantly reversing type to allow motor to reverse rotation without stopping.

Starter cabinet shall be located at the machine, containing all the necessary contactors, circuit breakers, overloads and fuses to provide for reversing operation. Controls shall be automatic with electrical latch to hold run circuit until limit switch is reached or "stop" button is pushed. Provide mechanical and electrical interlocks between contactors to prevent accidental motor reversal. Mount three pushbuttons on cabinet for local "open", "close" and "stop" control. All field connections shall be made through terminal blocks in the starter cabinet.

Provide two-stop mechanical, rotating shaft limit switch in separate NEMA 1 enclosure. Switch shall employ 72:1 worm gear reduction and shall operate two independently adjustable cams. Each cam shall activate a separate contact block for "open" and "close" positions.

Supply remote control station consisting of three pushbuttons mounted to stainless steel plate to fit standard single-gang switch box.

Model No. 460-1/3* as manufactured by H & H Specialties Inc.

* 1/2 HP motor also available.