

LIGHT DUTY RIGGING

Light duty stand-up pulleys and mule pulleys are designed for rigging contour curtains, gym dividers, and other light weight loads. Rugged steel housings contain 2-1/2" or 4" diameter Nylatron GS sheaves with shielded ball bearings. Each style is available in single and multiple sheave configurations.

H & H Specialties also manufactures many standard and custom items for medium and heavy duty rigging. Contact the factory for further information.

Working Load Limits* (At 150 ft/min)

Model No.	Capacity	Model No.	Capacity
44-1	25#	44-6	110#
44-2	45#	44-7	120#
44-3	65#	44-8	125#
44-4	80#	44-9	125#
44-5	95#	44-10	125#

* Max. load on any individual sheave: 25#

44 SERIES STAND-UP PULLEY

2-1/2" diameter Nylatron GS sheaves with shielded ball bearings mounted between 12 gauge steel side plates. Grooved for 1/4" rope.

Available up to 10 sheaves.

Working Load Limits* (At 150 ft/min)

Model No.	Capacity	Model No.	Capacity
45-1	25#	45-4	80#
45-2	45#	45-5	90#
45-3	65#	45-6	100#

* Max. load on any individual sheave: 25#

45 SERIES MULE PULLEY

2-1/2" diameter Nylatron GS sheaves with shielded ball bearings flush mounted to 10 gauge steel plate. Grooved for 1/4" rope.

Available up to 6 sheaves.

Working Load Limits* (At 200 ft/min)

Model No.	Capacity	Model No.	Capacity
46-1	40#	46-4	125#
46-2	70#	46-5	150#
46-3	100#	46-6	175#

* Max. load on any individual sheave: 40#

46 SERIES STAND-UP PULLEY

4" diameter Nylatron GS sheaves with shielded ball bearings mounted between 12 gauge steel side plates. Grooved for 3/8" rope.

Available up to 6 sheaves.

Working Load Limits* (At 200 ft/min)

Model No.	Capacity	Model No.	Capacity
47-1	40#	47-4	110#
47-2	70#	47-5	120#
47-3	100#	47-6	125#

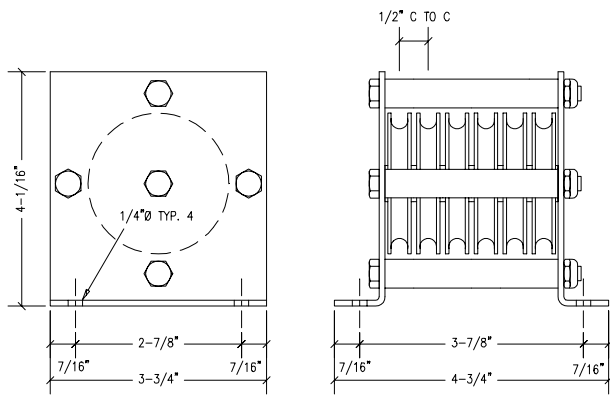
* Max. load on any individual sheave: 40#

47 SERIES MULE PULLEY

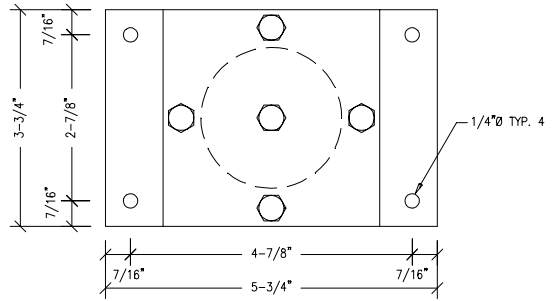
4" diameter Nylatron GS sheaves with shielded ball bearings flush mounted to 1/4" steel plate. Grooved for 3/8" rope.

Available up to 6 sheaves.

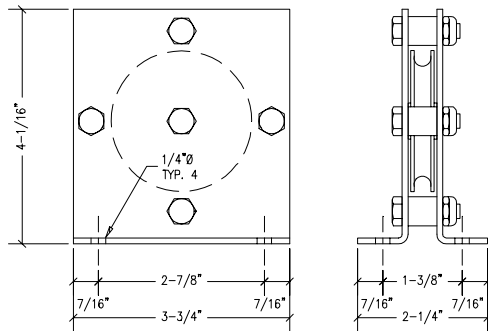
DIMENSION DRAWINGS



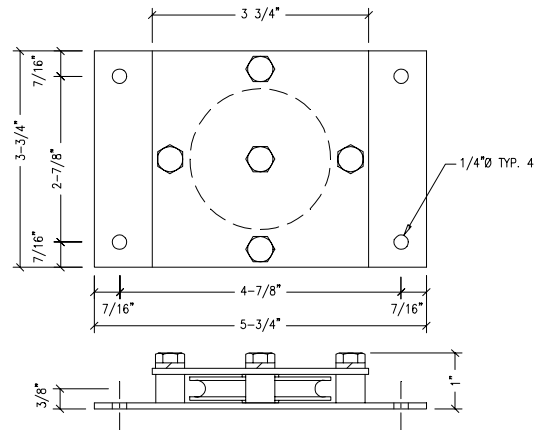
No. 44-6 Stand-up Pulley



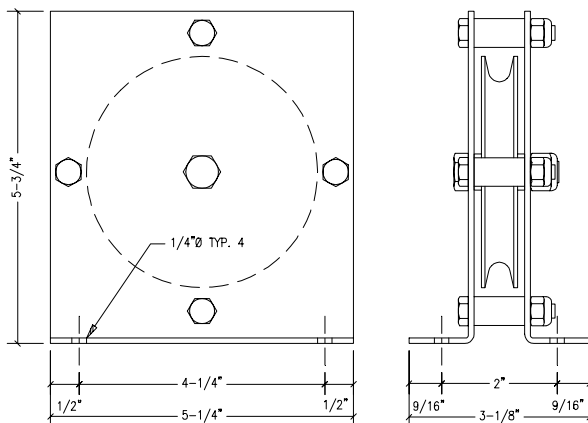
No. 45-6 Mule Pulley



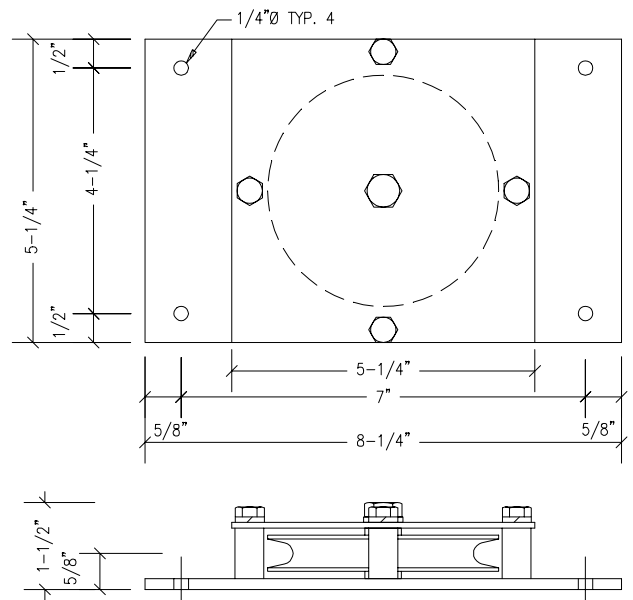
No. 44-1 Stand-up Pulley



No. 45-1 Mule Pulley



No. 46-1 Stand-up Pulley



No. 47-1 Mule Pulley